

Model: JSMA-PIH55ABK

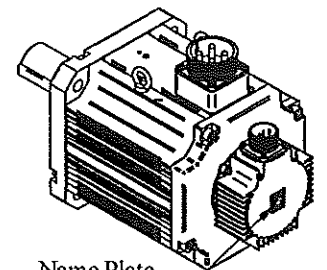
No.	Item	Symbol	Unit	Specification	No.	Item	Symbol	Unit	Specification
1	Drive	-	-	3 ϕ 220 VAC	13	Rotor Inertia	Jm	kg-cm ²	77.9 \pm 10%
2	Cooling Method	-	-	Totally Enclosed	14	Rated Power Rate	Q-R	Kw/s	158.15
3	Exciting Method	-	-	Permanent Magnet	15	Resistance	Ra	Ω	0.129 \pm 10%/ 2 ϕ
4	Resolution	-	-	2500 C/T	16	Inductance	L	mH	3.2 \pm 10%/ 2 ϕ
5	Rated Output	P-R	W	5500	17	Mech. Time Constant	Tm	ms	0.97 \pm 10%
6	Rated Torque	T-R	N-m	35.1	18	Elect. Time Constant	Te	ms	24.81 \pm 10%
7	Max. Torque	T-max	N-m	87.75	19	Insulation Class	-	-	Class F
8	Rated Speed	N-R	rpm	1500	20	Operation Temp.	T	$^{\circ}$ C	0-40
9	Rated Current	I-R	A	29.5	21	Operation Humd.	RH	%	<80
10	Max. Current	I-max	A	73.8	22	Storage Temp.	T	$^{\circ}$ C	-20 $^{\circ}$ ~60 $^{\circ}$
11	Torque Constant	Kt	N-m/A	1.19 \pm 10%	23	Storage Humd.	RH	%	<80
12	Voltage Constant	Ke	V/krpm	79 \pm 10%	24	Weight	W	kgv	27.1

Pin	Signal
B	+5V
I	0V
A	A/U
C	\bar{A}/\bar{U}
H	B/V
D	\bar{B}/\bar{V}
G	Z/W
E	\bar{Z}/\bar{W}
F	FG

Encoder Wiring

Pin	Signal
A	U
B	V
C	W
D	FG

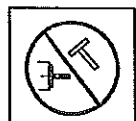
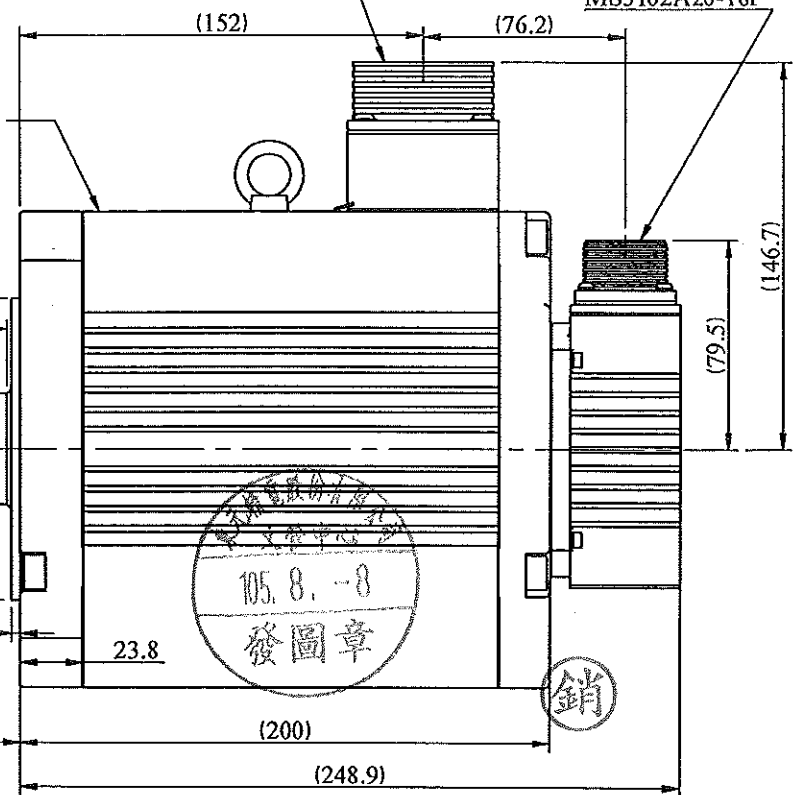
Motor Wiring



Name Plate for Notice

Military connector
MS3102A32-17P

Military connector
MS3102A20-18P



Do not Hammer!

Name Plate for Notice

AC SERVO MOTOR

Model: JSMA-PIH55ABK

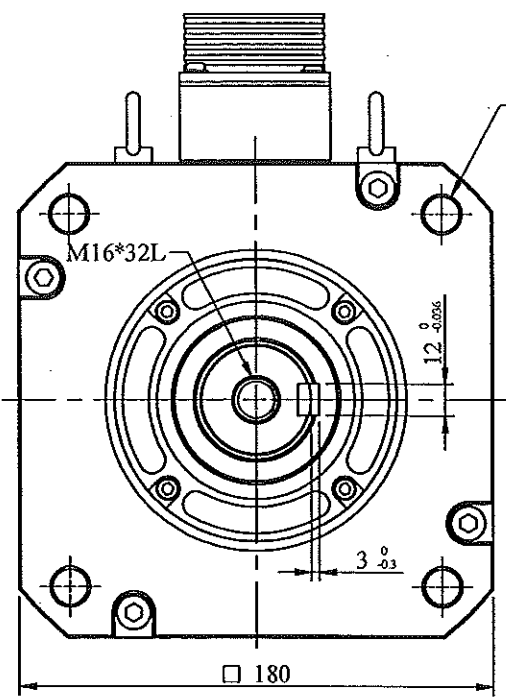
Pr: 5.5 KW ; Nr: 1500 rpm

Ir: 29.5 A , Tr: 35.1 N-m

NO.

TECO ELECTRIC & MACHINERY CO., LTD. MADE IN TAIWAN

Name Plate for Spec



NOTE:
Motor to be IP67.
(excluding the shaft opening & connectors)

STANDARD TOLERANCE		APVD	SCALE	UNIT	mm	NAME	Servo Motor Outline Drawing	
X	\pm 0.5	25	3RD .A.P	ϕ		TITLE	JSMA-PIH55ABK	
.X	\pm 0.2	Michelle						
.XX	\pm 0.05	6-28-16						
ANGLE	\pm 30'	DWN	Chase	06-24-16				
MATERIAL		REV	DESCRIPTION	SIGNATURE	DATE	SIGNATURE	DATE	Dept. Design
								DWG. NO. D01B18552H3NTAD01